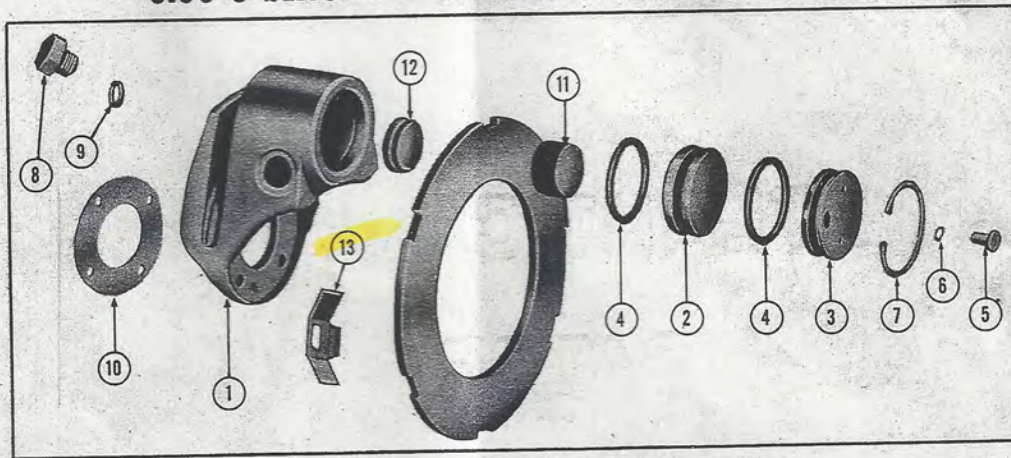


### 5.00-5 SINGLE DISC BRAKE — Drawing No. 9520264

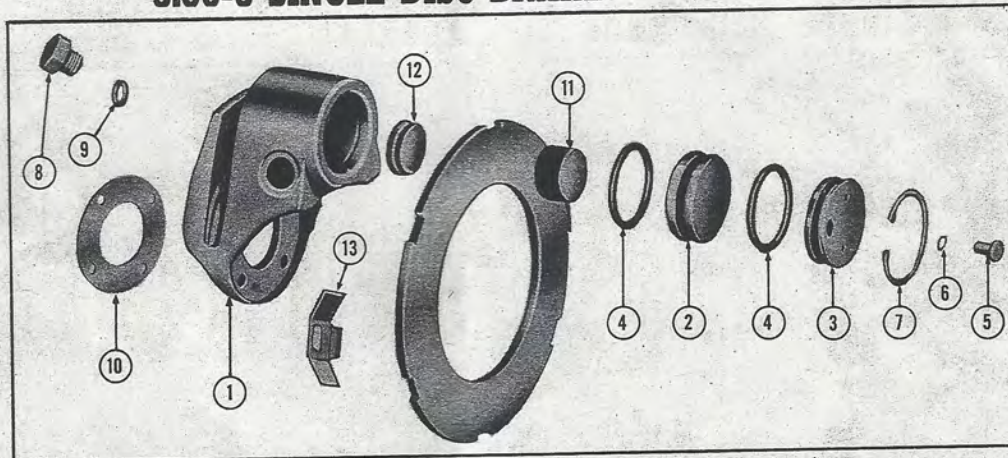


Used on: Bell Helicopter Model 47 (first 50 helicopters)  
Emigh Trojan Models A1 and A2. Midget Racing Planes

Index	Per Assy.	Description of Part	Code No.	List Price ea.	Index	Per Assy.	Description of Part	Code No.	List Price ea.
		Brake Assembly	9520264	\$63.50	8	1	Plug—Inlet	9520448	\$0.12
1	1	Housing	9530079	36.50	9	2	Gasket—Inlet	95-5761	.20
2	1	Piston	9510033	5.74	*	1	Plug—Inlet	95-1989	.06
3	1	Head-cylinder	9510034	4.08	10	1	Plate	95-4542	.40
4	2	Seal—"O" Rings	95-4723	.54	11	1	Lining—Piston Side	9511261	1.94
5	1	Screw—Bleeder	95-4659	.04	12	1	Lining—Stationary	9511262	2.00
6	1	Washer—Bleeder	95-4486	.04	13	3	Clip—Disc	9520401	.20
7	1	Ring—Cyl. Hd. Ret.	95-4528	.28	14	1	Disc	9530285	10.40

\* Not illustrated.

### 5.00-5 SINGLE DISC BRAKE — Drawing No. 9520908

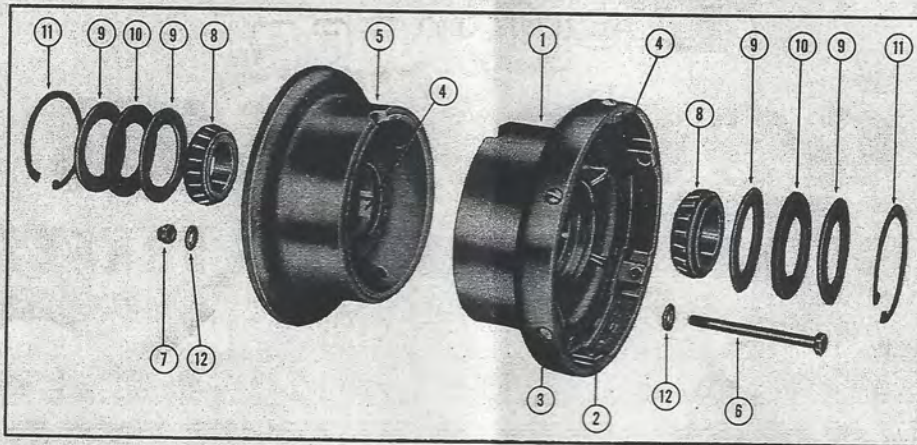


Used on: Bell Helicopter Model 47 (Serials 51 and up)

Index	Per Assy.	Description of Part	Code No.	List Price ea.	Index	Per Assy.	Description of Part	Code No.	List Price ea.
		Brake Assembly	9520908	\$64.00	7	1	Ring—Cyl. Hd. Ret.	95-4528	\$0.28
1	1	Housing	9530079	36.50	8	1	Plug—Inlet	9520448	.12
2	1	Piston	9510033	5.74	9	2	Gasket—Inlet	95-5761	.20
3	1	Head—Cylinder	9510034	4.08	*	1	Plug—Inlet	95-1989	.06
4	2	Seal—"O" Ring	95-4723	.54	10	1	Plate	95-4542	.40
5	1	Screw—Bleeder	95-4659	.04	11	1	Lining—Piston Side	9511261	1.94
6	1	Washer—Bleeder	95-4486	.04	12	1	Lining—Stationary	9511262	2.00
					13	3	Clip—Disc	9520401	.20
					14	1	Disc	9530296	11.00

\* Not illustrated.

### 5.00-5 SINGLE DISC WHEEL — Drawing No. 9520265



Used on: Bell Helicopter Model 47

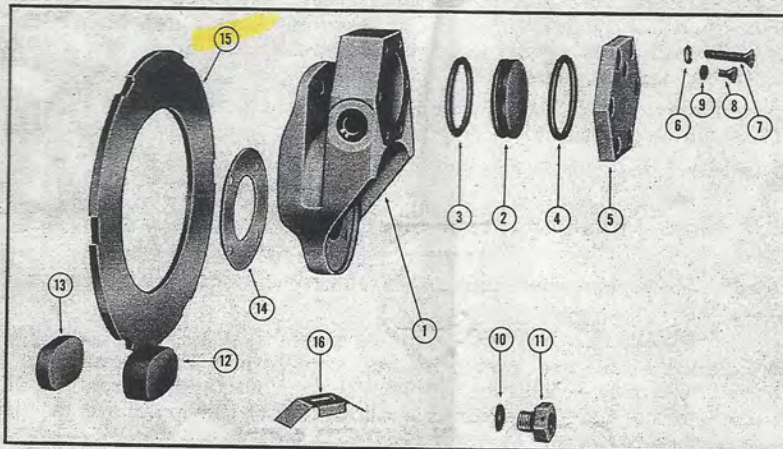
Midget Racing Planes

Emigh Trojan Models A1 and A2

Index	Per Assy.	Description of Part	Code No.	List Price ea.	Index	Per Assy.	Description of Part	Code No.	List Price ea.
1	1	Wheel Assembly—Complete	9520265	\$61.00	7	3	Nut—Self Locking 1/4-28	95-1567	\$0.06
2	6	Wheel Sub Ass'y Inb'd Half	9510035	32.70	8	2	Cone—Brg. Timken	95-0471	3.26
3	6	Key—Drive	9520101	.96	9	4	Ring—Brg. Closure	9510236	.54
4	1	Screw	9520657	.24	10	2	Ring—Felt Seal	95-4547	.06
4	1	Cup—Brg. Inb'd	95-0472	1.90	11	2	Ring—Eaton Retaining	95-5154	.60
5	1	Wheel Sub Ass'y Outb'd	9510301	19.50	12	6	Washer—1/4x7/8	95-0897	.04
4	1	Cup—Brg. Outb'd	95-0472	1.90	*	1	Fairing Kit—Complete	9510037	2.94
6	3	Bolt	95-5042	.20	*	3	Screw—#8/32x1/4	95-4327	.04

\* Not illustrated.

### 5.00-5 SINGLE DISC BRAKE — Drawing No. 9520425



Used on: Bell Helicopter—Midget Racing Planes—Emigh Trojan

Index	Per Assy.	Description of Part	Code No.	List Price ea.	Index	Per Assy.	Description of Part	Code No.	List Price ea.
1	1	Brake Assembly	9520425	\$63.00	8	1	Screw—Bleeder	95-5195	\$0.04
2	1	Housing—Brake	9520999	30.00	9	1	Seal—Bleeder Screw	9510957	.16
3	1	Piston	9511007	4.86	10	2	Gasket—Inlet	95-5767	.20
3	1	Seal—Piston O-Ring	95-4723	.54	11	1	Plug—Inlet	95-2923	2.34
4	1	Seal—Cyl. Hd. O-Ring	95-4725	.56	12	1	Lining—Piston Side	9511266	2.80
5	1	Head—Cylinder	9511006	6.50	13	1	Lining—Stationary	9511268	2.40
6	6	Washer	95-4909	.04	14	1	Plate—Torque Flg. Thrust	95-4542	.40
7	6	Screw	95-5163	.18	15	1	Disc—Brake	9530285	10.40
					16	3	Clip—Disc	9520401	.20

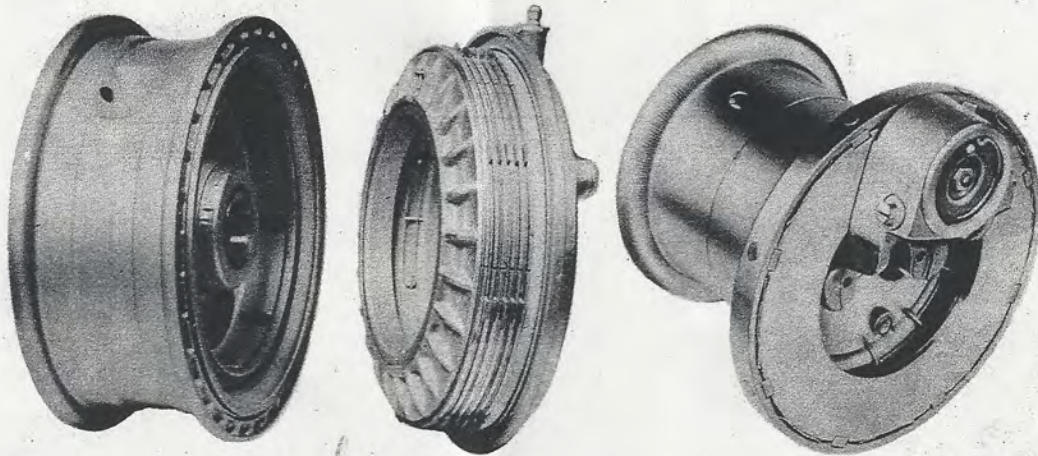
**GOODYEAR PRICES**

EFFECTIVE APRIL 15, 1952

# GOODYEAR



## AIRPLANE WHEELS AND BRAKES

**MULTIPLE DISC TYPE****SINGLE DISC TYPE**

This list does not constitute Goodyear's entire line of Airplane wheels and brakes but represents only the popular Civil Aircraft sizes as sold through commercial channels. Prices on other types and sizes can be furnished upon request.

This price list cancels all previous lists on items named herein and is subject to change without notice. This list does not constitute an offer and we reserve the right to reject any and all orders.

All shipments will be billed at prices in effect on date of shipment. State Sales Tax, if any, will be billed additional.

Shipments are F.O.B. shipping point with freight allowed or prepaid on 200 lbs. or over to all points in the United States.

When placing orders for Goodyear wheel and brake replacement parts please give full description and 95 code number.

**GOODYEAR WHEEL AND BRAKE WARRANTY**

"Seller warrants the articles herein specified to be free from defects in workmanship or material. Seller's liability for failure of any articles to comply with the foregoing warranty shall be limited to repairing that article or to making reasonable allowance on the purchase of a replacement article.

"There is no other warranty or liability, express or implied, applicable to the articles furnished hereunder. Failure to maintain and operate the products in accordance with Seller's instructions or unauthorized modification of the products shall render the above warranty null and void. No representative has authority to make any representation, promise or agreement except as stated herein."

**THE GOODYEAR TIRE & RUBBER COMPANY, INC.**  
**AVIATION PRODUCTS DIVISION**

AKRON 16, OHIO

LOS ANGELES 54, CALIF.